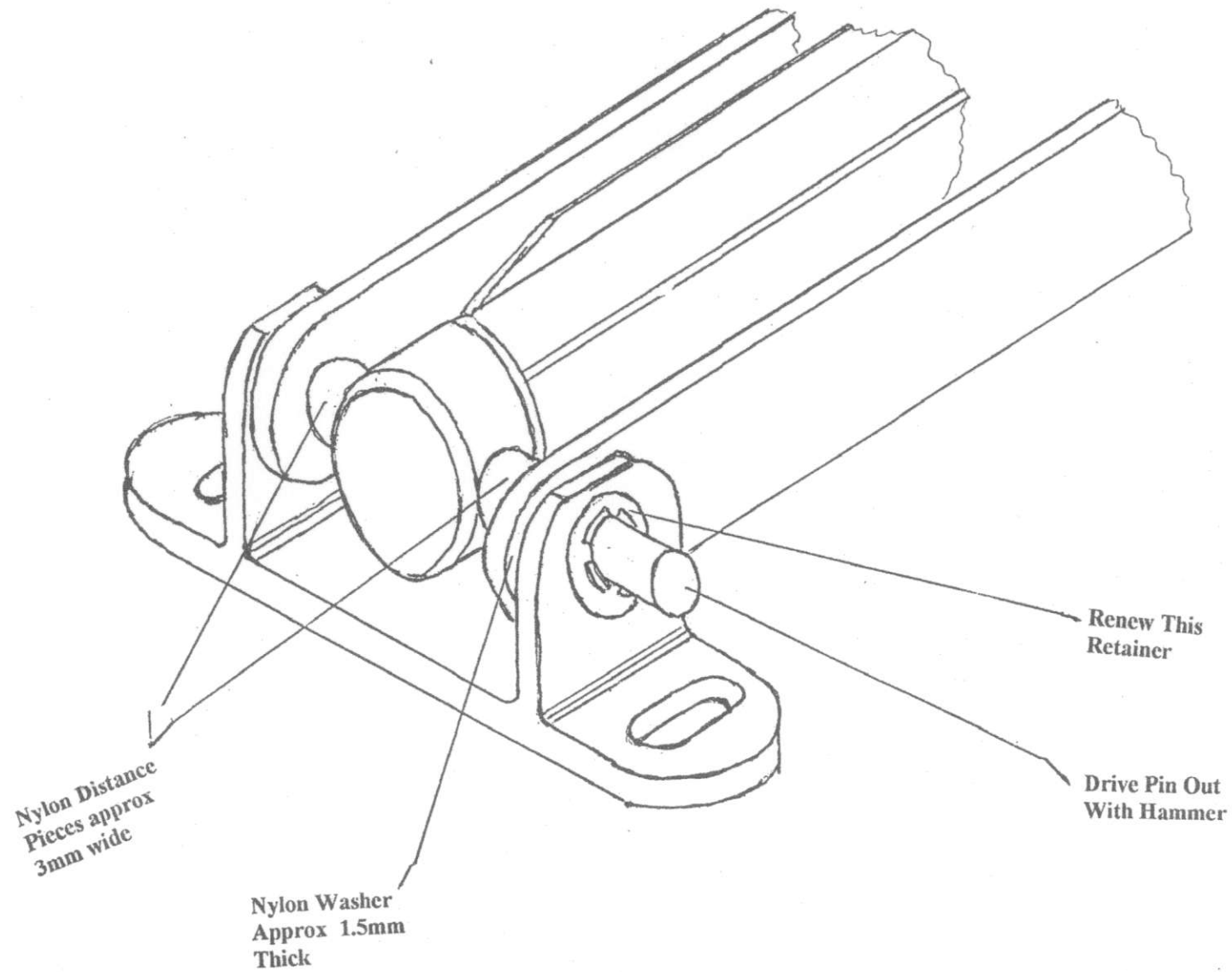


REMOVAL AND REPLACEMENT OF MK 7 SUPER POWER TUBE.



It is important to cool the power tube (in a refridgerator) for approx 20 minutes and to push the piston rod back into the tube **BEFORE** fitting.