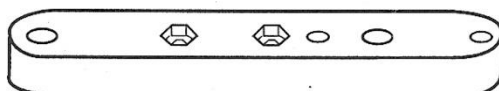
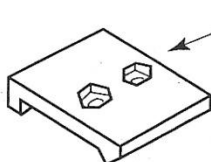


## Items required to fit BAYLISS XL Autovent to a Robinsons Greenhouse

ITEM 1  
1 of Fixing Block



ITEM 1A  
1 of Fixing Clamp



2 of 2BA Nuts  
Inserted into  
holes in clamp

4 of ITEM 4



2BA Round Head Screw

2 of ITEM 5



M 6x15 Long Square Headed Bolt

2 of ITEM 6



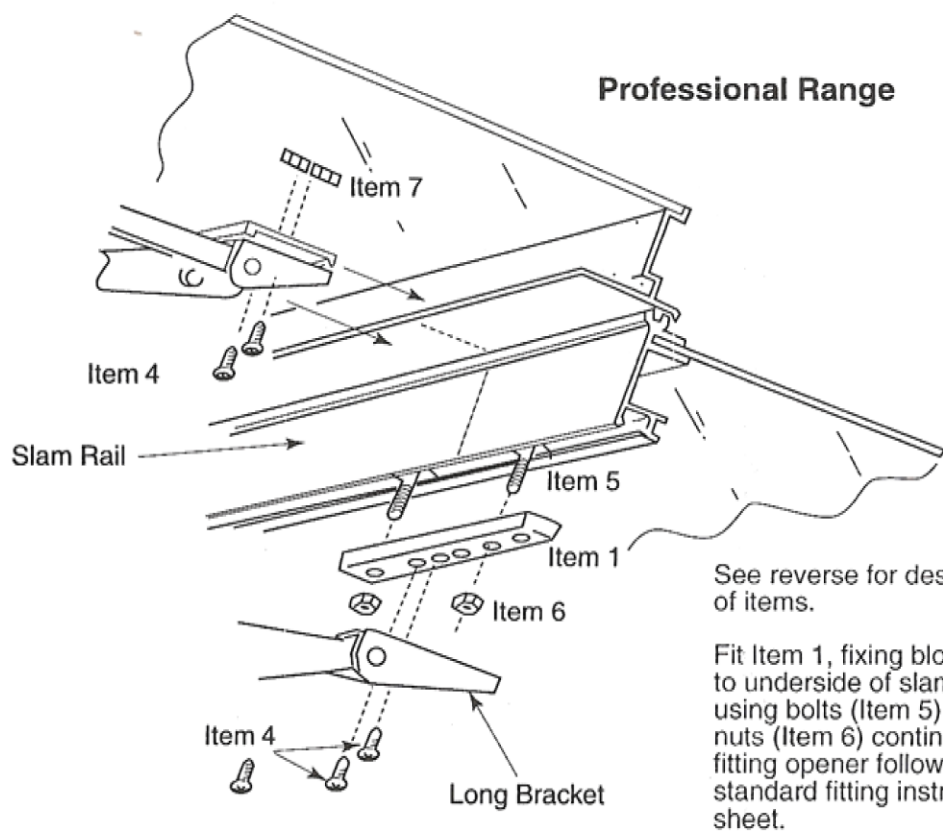
M 6 Nut

4 of ITEM 7



2BA Nut

## Fitting a BAYLISS XL Autovent to a Robinsons Greenhouse



See reverse for description of items.

Fit Item 1, fixing block to underside of slam rail using bolts (Item 5) and nuts (Item 6) continue fitting opener following standard fitting instruction sheet.

